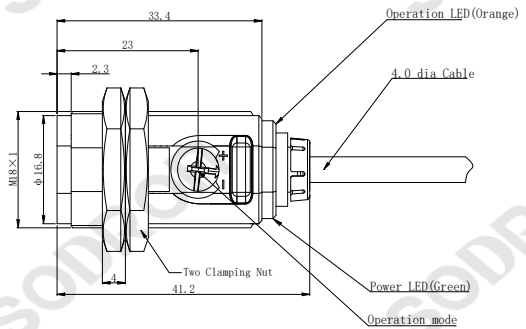
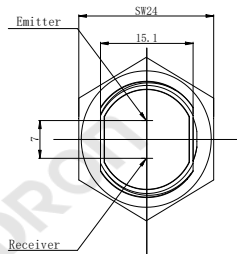




Dimension



Model

PM18V-P03BNWR
PM18V-P03BPWR

Technical parameters

Sensing method	Retro-reflective
Model	NPN PM18V-P03BNWR PNP PM18V-P03BPWR
Sensing distance	4m (with a 40 x 60 mm reflector)

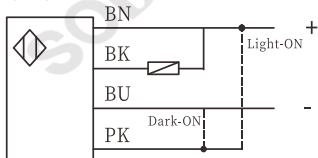
Product Features

- Retro-reflective type with M.S.R. function
- 620nm Red LED
- IEC IP65

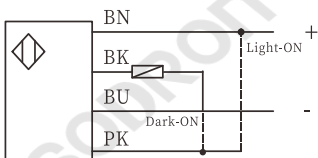
Standard target	> $\Phi 75$ mm (Opaque object)
Output mode	Light-ON/Dark-ON (Wire switching)
Light source	620nm Red LED
Supply power	DC 12~24V $\pm 10\%$, impulse (P-P) < 10%
Directivity angle	> 2°
Residual voltage	< 2V (Load Current: ≤ 100 mA)
Current consumption	< 12mA

Connection

NPN



PNP



Circuit protection	Power reverse direction connection protection
Response time	< 1ms
Indicator light	Output LED: Orange LED, Power/stable: Green LED
Connection	Cable 2m (PVC)
Ambient temperature	Work: -25 ~ +55°C; Store: -40 ~ +70°C (No dew condensation or icing allowed)
Ambient humidity	Work: 35 ~ 85%RH, Store: 35 ~ 95%RH, (No dew condensation)
Ambient illumination	Sunlight: < 10,000Lx, lamplight: < 3,000Lx
Withstand voltage	1000 VAC, 50/60 Hz, 1 min.
Insulation resistance	> 20M Ω (DC500V megger) between current-carrying parts and case
Anti-vibration	10~55Hz double-amplitude 1.5mmX,Y,Z 2h
Anti-impact	500m/s ² X, Y,Z, directions for 3 times
Protection degree	IEC IP65
Housing	PBT+ABS
Material Lens Mount	ABS
Lens	PMMA